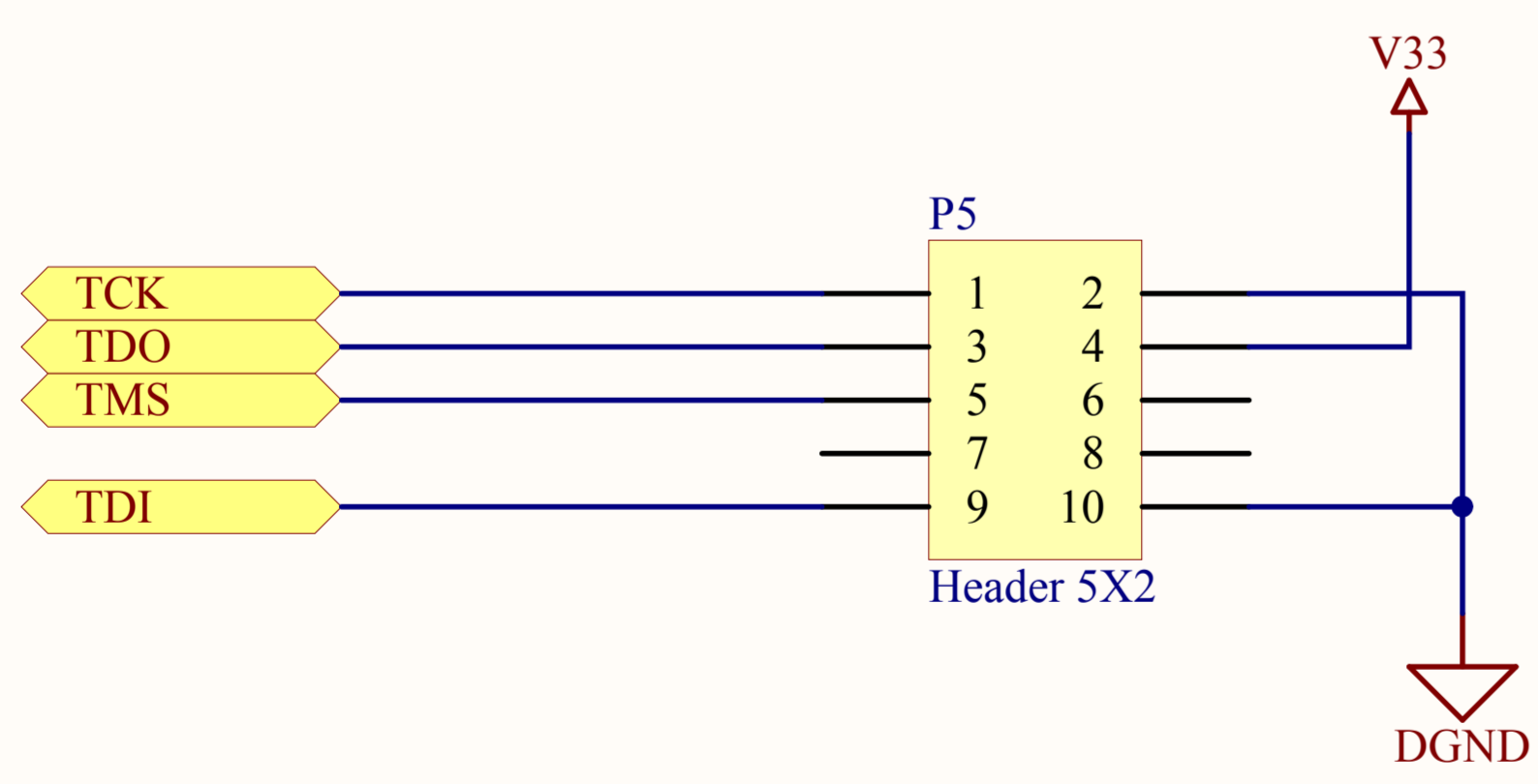
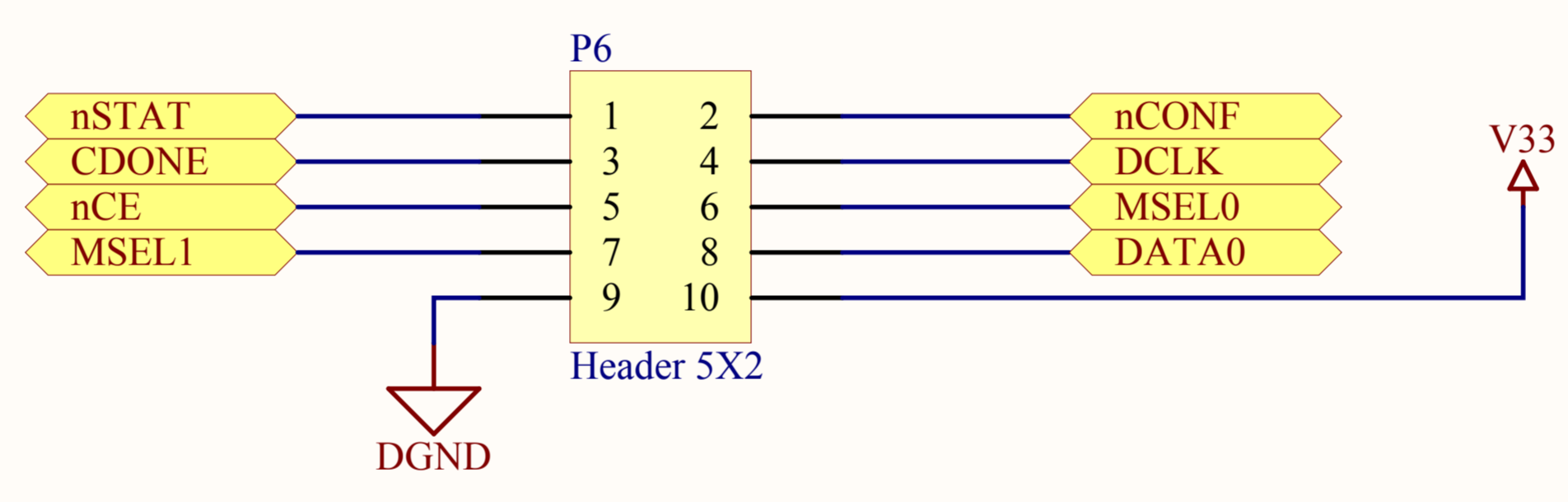
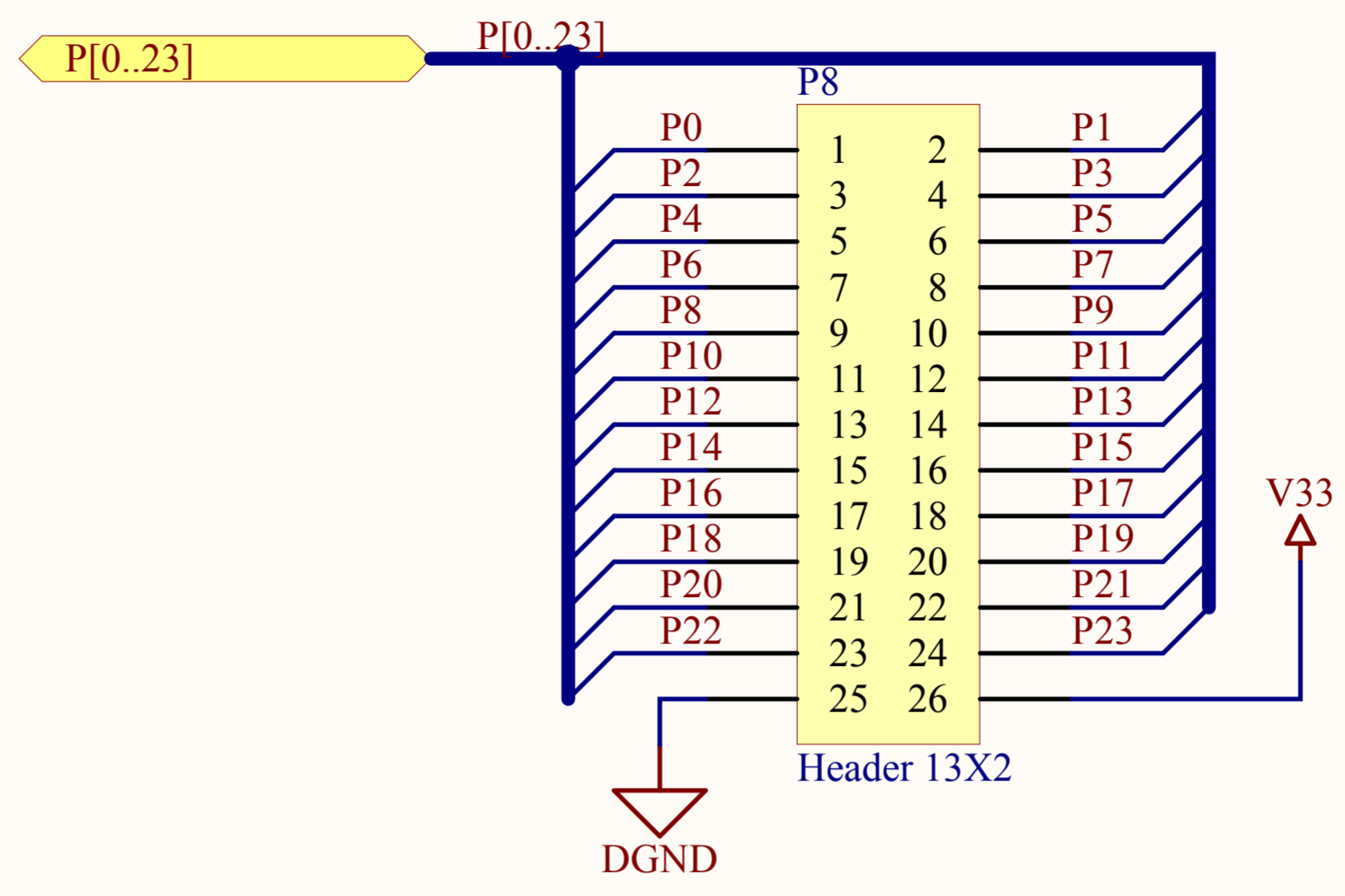
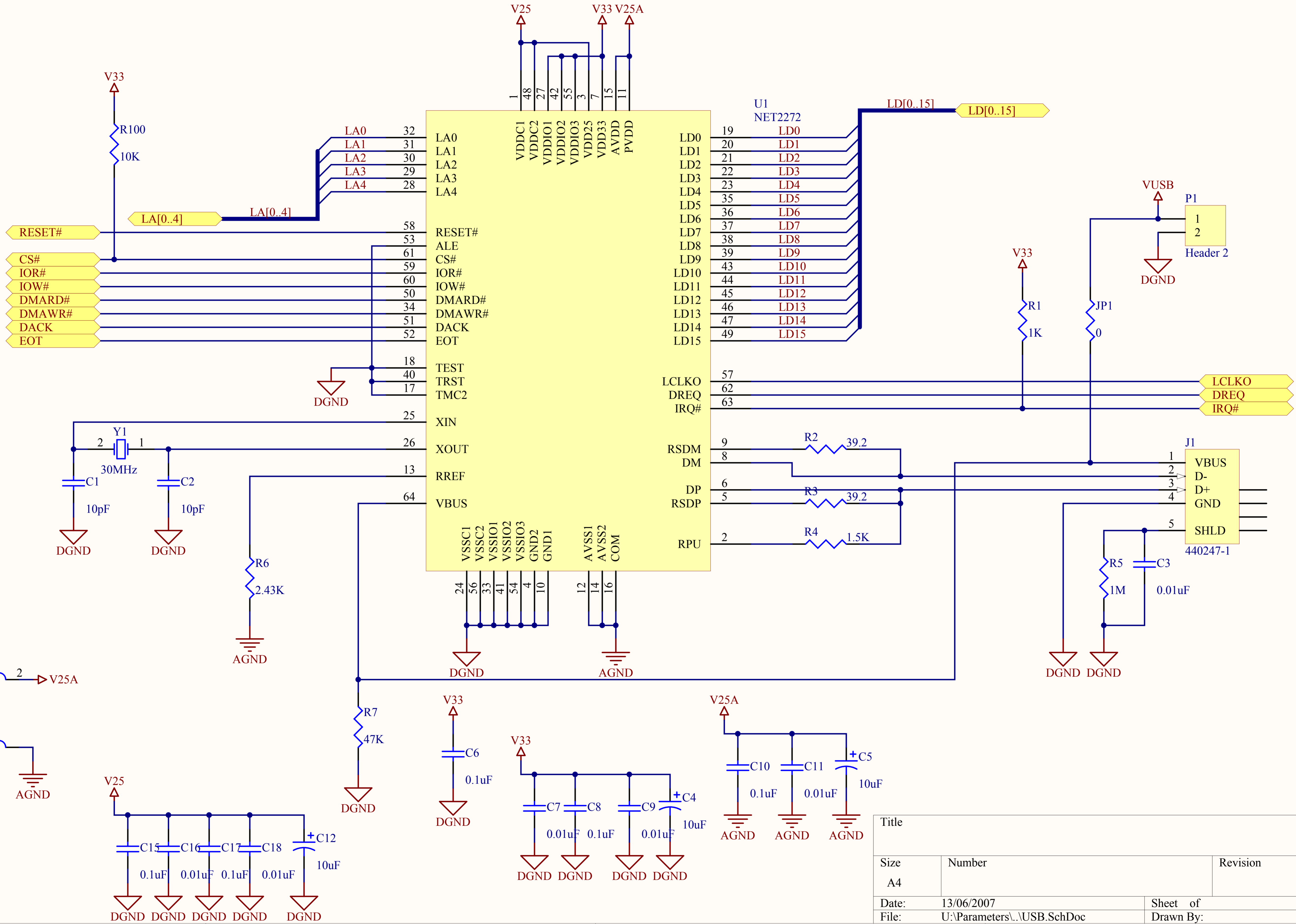


Title		
Size	Number	Revision
A4		
Date:	13/06/2007	Sheet of
File:	U:\Parameters\...\Alimentation.SchDoc	Drawn By:



Title		
Size	Number	Revision
A4		
Date:	13/06/2007	Sheet of
File:	U:\Parameters\...\Connecteurs.SchDoc	Drawn By:



Title		
Size	Number	Revision
A4		
Date:	13/06/2007	Sheet of
File:	U:\Parameters\.\USB.SchDoc	Drawn By: